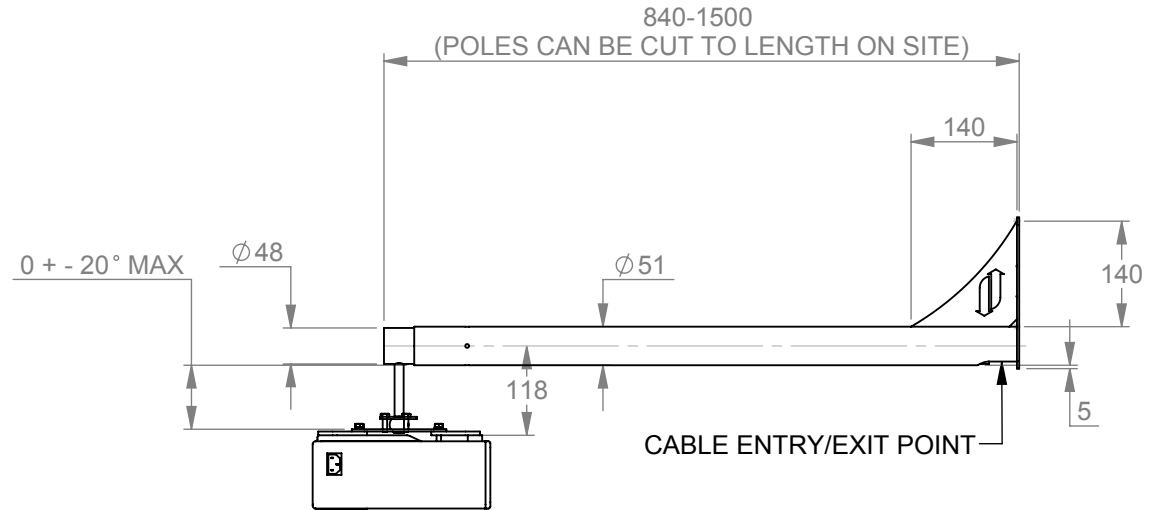
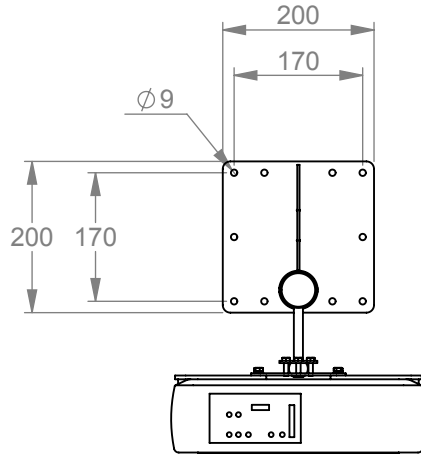
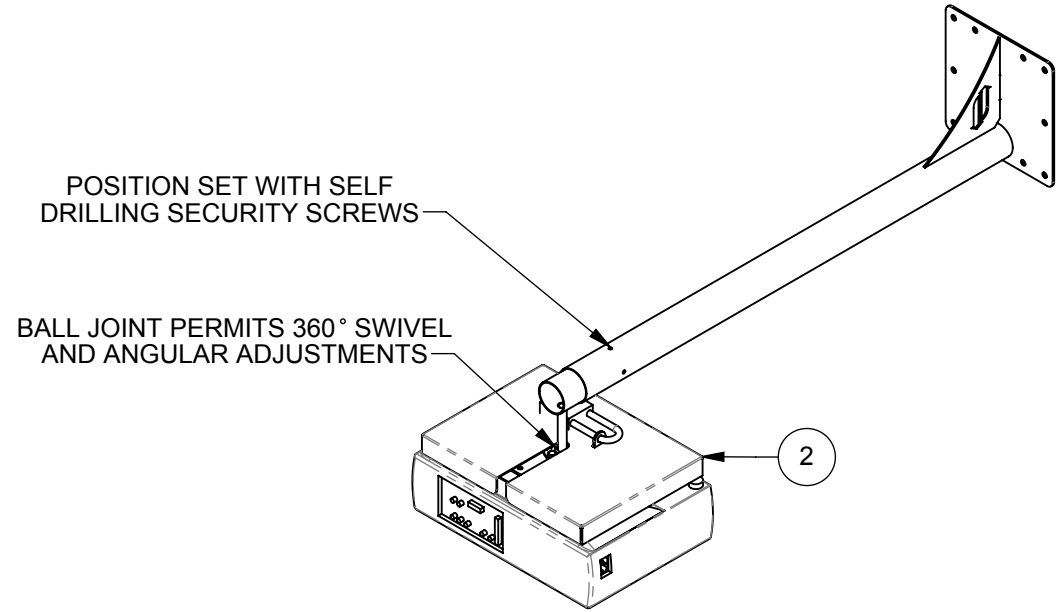


## PRODUCT FEATURES

1. OPTIONAL STUD WALL ADAPTER
2. OPTIONAL LOCKABLE MOUNT PLATE
3. STANDARD COLOURS: MANNEX BLACK / WHITE
4. SUPPORTS UP TO 35kg PROJECTOR WEIGHT
5. PRODUCT WEIGHT 5kg (APPROXIMATE)
6. MOUNTING HARDWARE INCLUDED

**NOTE: DIMENSIONS SUBJECT TO CHANGE. PLEASE CONFIRM PRIOR TO INSTALLATION OR COMMENCING ANY CONSTRUCTION WORK.**



NOTES:  
ANY MODIFICATIONS OR ADDITIONS TO THE PRODUCT  
MUST BE APPROVED AND DOCUMENTED BY ULTRALIFT

[www.ultraliftaustralia.com.au](http://www.ultraliftaustralia.com.au)

**ULTRALIFT** Phone: +613 9459 0873

Email: [sales@ultraliftaustralia.com.au](mailto:sales@ultraliftaustralia.com.au)

# SPIDER SHORT THROW

Finish: Powdercoated

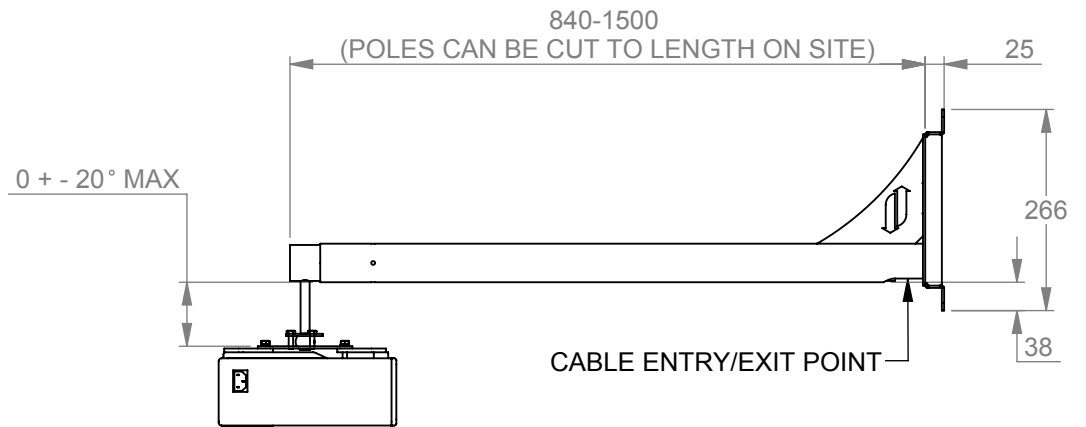
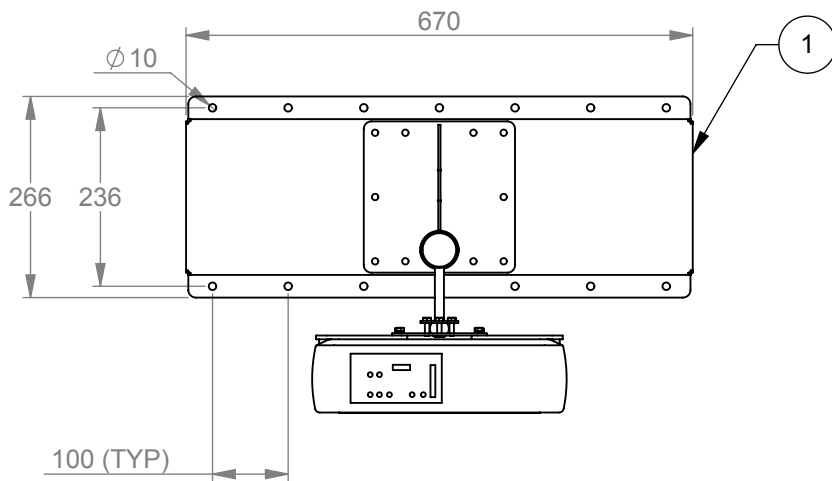
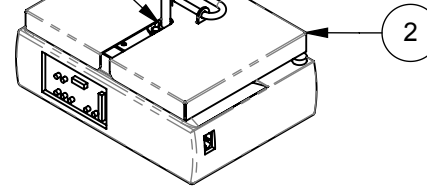
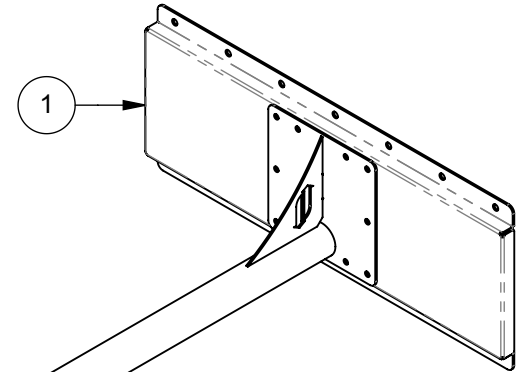
Material: Mild Steel

## PRODUCT FEATURES

1. OPTIONAL STUD WALL ADAPTER
2. OPTIONAL LOCKABLE MOUNT PLATE
3. STANDARD COLOURS: MANNEX BLACK / WHITE
4. SUPPORTS UP TO 35kg PROJECTOR WEIGHT
5. PRODUCT WEIGHT 5kg (APPROXIMATE)
6. MOUNTING HARDWARE INCLUDED

POSITION SET WITH SELF DRILLING SECURITY SCREWS

BALL JOINT PERMITS 360° SWIVEL AND ANGULAR ADJUSTMENTS



NOTES:  
ANY MODIFICATIONS OR ADDITIONS TO THE PRODUCT  
MUST BE APPROVED AND DOCUMENTED BY ULTRALIFT

[www.ultraliftaustralia.com.au](http://www.ultraliftaustralia.com.au)

**ULTRALIFT** Phone: +613 9459 0873

Email: [sales@ultraliftaustralia.com.au](mailto:sales@ultraliftaustralia.com.au)

# SPIDER SHORT THROW

Finish: Powdercoated

Material: Mild Steel