

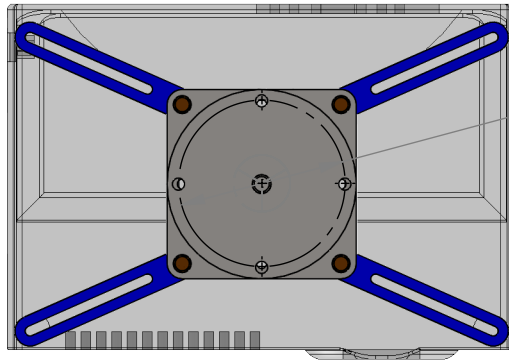
## FEATURES

WEIGHT: 1.1kg

STANDARD COLOURS: MANNEX BLACK / WHITE

MOUNTING HARDWARE INCLUDED

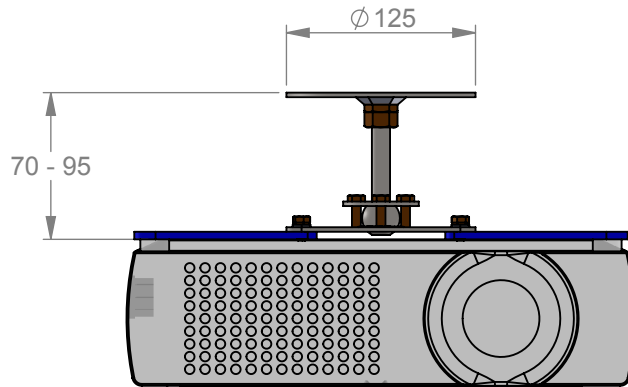
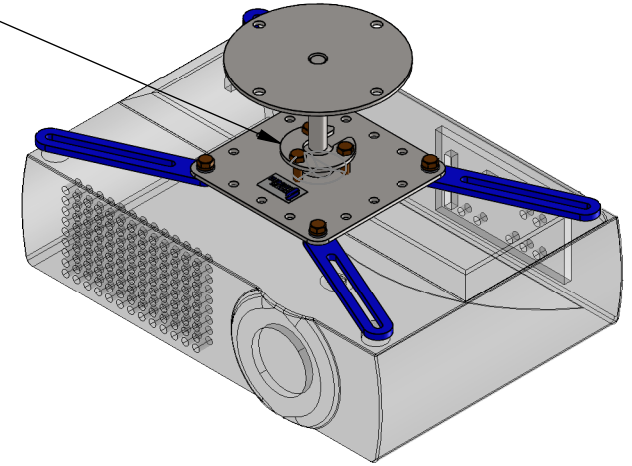
MAX PROJECTOR WEIGHT: 35kg



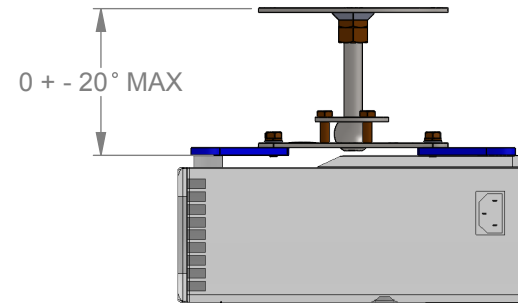
Ø 110 CEILING PLATE  
MOUNTING HOLE DIAMETER

MOUNTING ARMS CAN BE ADJUSTED TO  
SUIT MOST PROJECTORS UP TO Ø 360mm

BALL JOINT PERMITS 360° SWIVEL  
AND ANGULAR ADJUSTMENTS



UP TO 30kg PROJECTOR WEIGHT



BALL STUD ALLOWS THE PROJECTOR  
TO BE TILTED TO 20° MAX

NOTES:  
ANY MODIFICATIONS OR ADDITIONS TO THE PRODUCT  
MUST BE APPROVED AND DOCUMENTED BY ULTRALIFT

[www.ultraliftaustralia.com.au](http://www.ultraliftaustralia.com.au)

**ULTRALIFT** Phone: +613 9459 0873

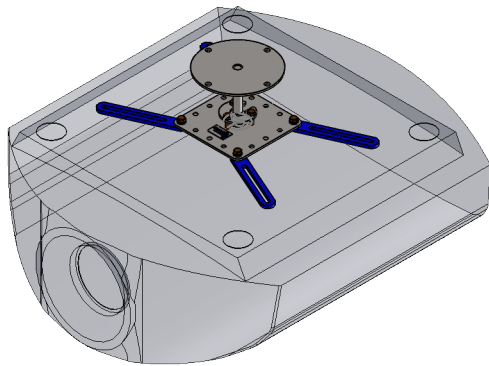
Email: [sales@ultraliftaustralia.com.au](mailto:sales@ultraliftaustralia.com.au)

# SPIDER 70

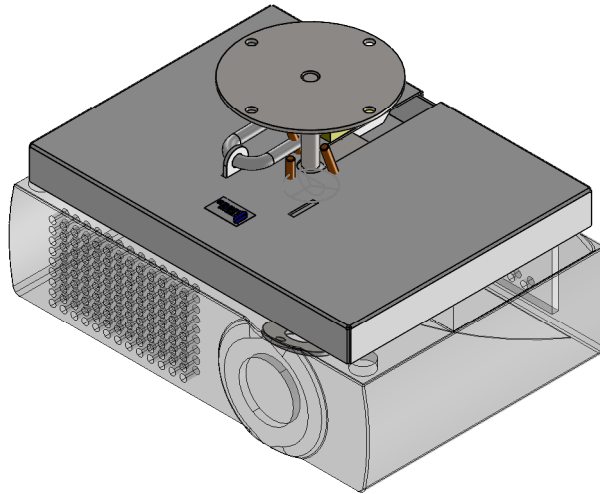
Finish: Powdercoated

Material: Mild Steel

## AVAILABLE OPTIONS

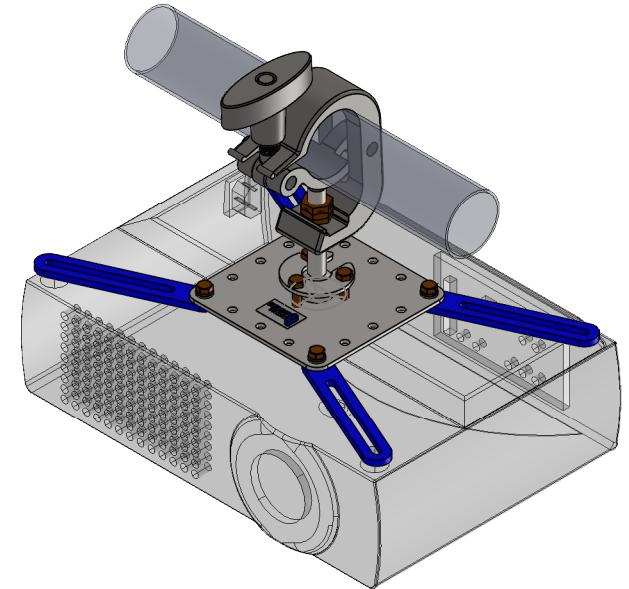


LONGER ARMS FOR LARGER PROJECTOR  
(MOUNTING HOLES UP TO  $\varnothing$ 500mm)



PROJECTOR LOCK COMPATIBLE  
(CEILING PLATE AND BALL STUD WELDED)

SPIDER 70 WITH COUPLER FOR  
MOUNTING UP TO 50mm ROUND TUBE  
(NOT INCLUDED)



NOTES:  
ANY MODIFICATIONS OR ADDITIONS TO THE PRODUCT  
MUST BE APPROVED AND DOCUMENTED BY ULTRALIFT

[www.ultraliftaustralia.com.au](http://www.ultraliftaustralia.com.au)

**ULTRALIFT** Phone: +613 9459 0873

Email: [sales@ultraliftaustralia.com.au](mailto:sales@ultraliftaustralia.com.au)

## SPIDER 70 - OPTIONS

Finish: Powdercoated

Material: Mild Steel