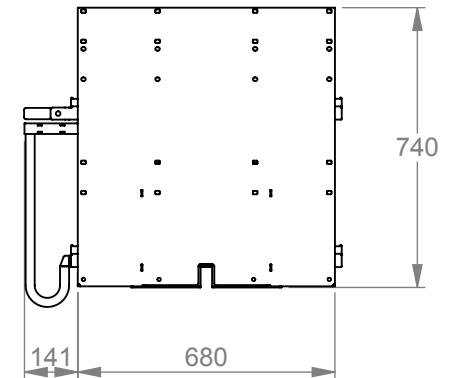
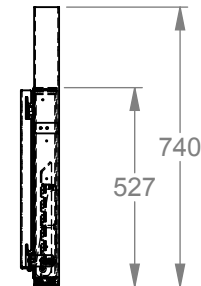
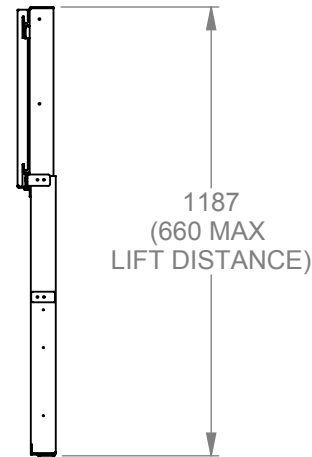
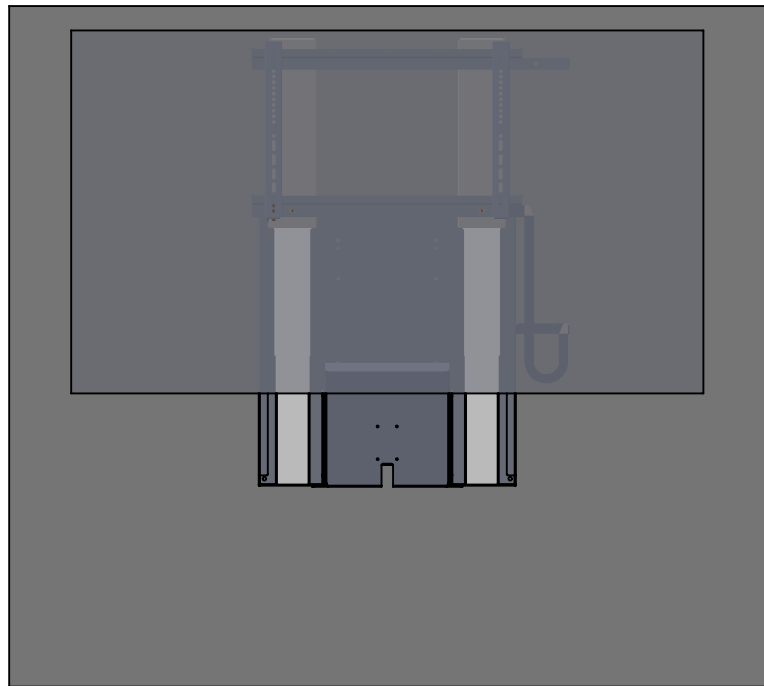
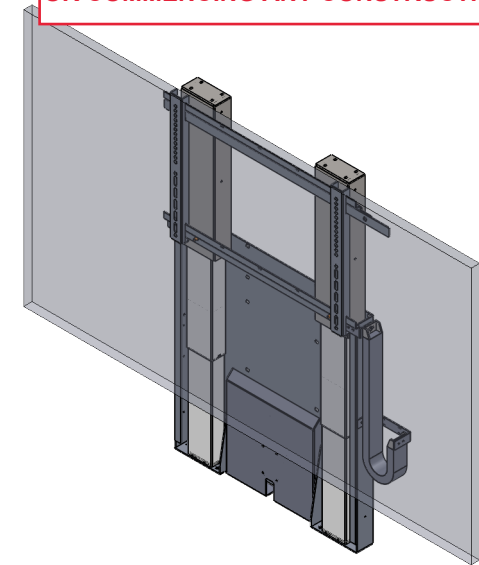
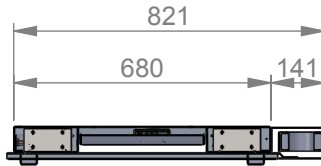


## PRODUCT FEATURES

1. ROBUST ACTUATORS FOR LIFT
2. MULTIPLE VESA MOUNTING CONFIGURATIONS  
200x200, 400x200, 400x400, 600x400
3. CABLE MANAGEMENT SYSTEM (L/H OR R/H)
4. SUPPORTS SCREENS UP TO 90"/130kg
5. PRODUCT WEIGHT 25kg (APPROXIMATE)

**NOTE: DIMENSIONS SUBJECT TO CHANGE.  
PLEASE CONFIRM PRIOR TO INSTALLATION  
OR COMMENCING ANY CONSTRUCTION WORK.**



NOTES:  
ANY MODIFICATIONS OR ADDITIONS TO THE PRODUCT  
MUST BE APPROVED AND DOCUMENTED BY ULTRALIFT

[www.ultraliftaustralia.com.au](http://www.ultraliftaustralia.com.au)

**ULTRALIFT** Phone: +613 9459 0873

Email: [sales@ultraliftaustralia.com.au](mailto:sales@ultraliftaustralia.com.au)

# EWL-000 EDUCATION WALL LIFT

Finish: Powdercoated

Material: Aluminium