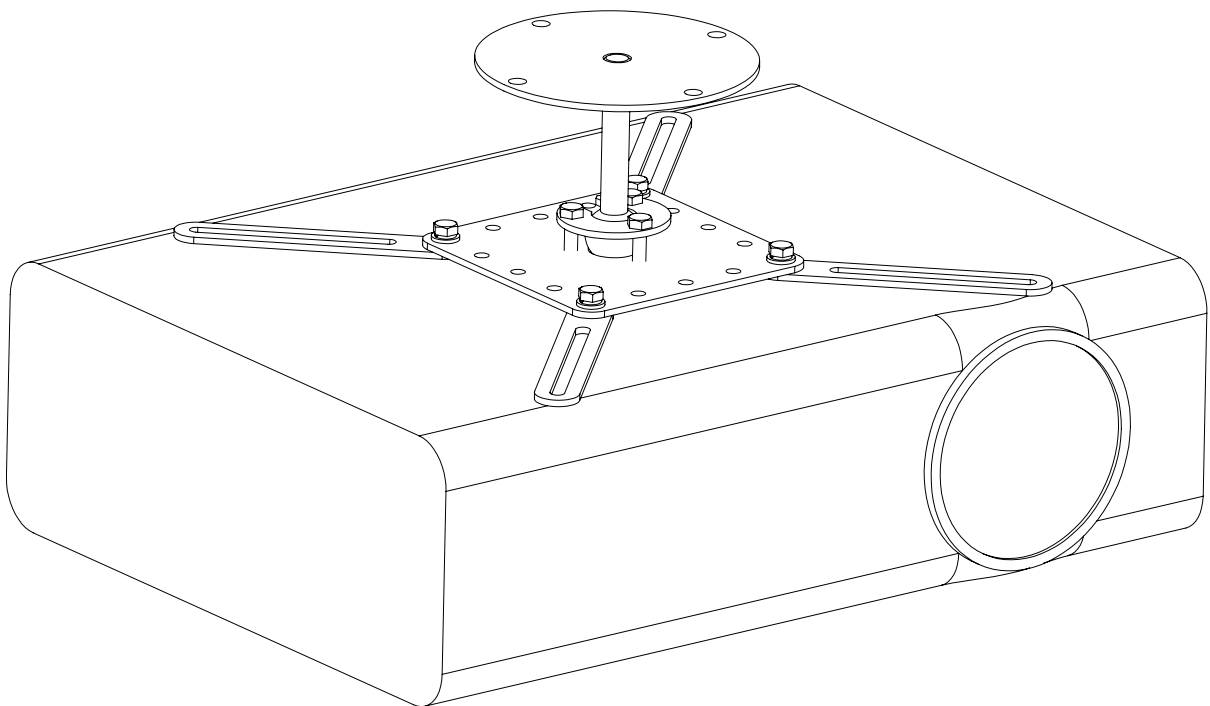


# Spider 70



CAUTION

## Safety Warning



**Mount where people will not be injured:**

Select a mounting position where people will not hit their head or other parts of their body.



**Risk of Electrocutation:**

Do not connect any power to the projector until installation is complete. Attach the projector as instructed in the installation procedure.



**Wear a Hardhat:**

During installation this product or parts of it may move in unexpected ways. Wear a hardhat to ensure safety at all times.



**Wear Protective Eyewear:**

During installation this product or parts of it may move in unexpected ways. Wear protective eyewear to ensure safety at all times.



**Be Prepared:**

Organise your mounting hardware and have the necessary tools readily accessible before installation.



**Do not expose to extreme temperatures or corrosive materials.  
Minimize exposure to the elements.**

This will void your warranty and reduce the life of the product.



**This product should only be installed by a qualified technician.**

It may be illegal to install this product in your region if you are not a licensed technician. Doing so will also void your warranty.

# Table of Contents

Parts List	4
Screw Kit	5
Spider 70 Diagram	6
<b>Installation</b>	7-9
Specifications	10
Legal Notice and Liability Disclaimer	11

## Thank You

Thank you for purchasing this Ultralift product. We are sure you will enjoy this unit for years to come. Before installing, operating or adjusting this product, please read this instruction book carefully and completely.

## Parts Checklist

When you receive this product, please do the following to ensure you have all of the needed components included in the package.

- Open the carton & inspect for damage.
- Locate the following parts:
  - 1 — Spider 70 (Projector Mount)
  - 1 — Screw Kit (see next page)

# Screw Kit: Spider 70

M4 Pan Phillips screws  
(12mm Long)

Quantity: 4

To fasten certain Projectors to Mount Arm



M5 Pan Phillips screws  
(12mm Long)

Quantity: 4

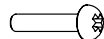
To fasten certain Projectors to Mount Arm



M4 Pan Phillips screws  
(20mm Long)

Quantity: 4

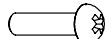
To fasten certain Projectors to Mount Arm



M5 Pan Phillips screws  
(20mm Long)

Quantity: 4

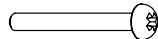
To fasten certain Projectors to Mount Arm



M4 Pan Phillips screws  
(35mm Long)

Quantity: 4

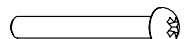
To fasten certain Projectors to Mount Arm



M5 Pan Phillips screws  
(40mm Long)

Quantity: 4

To fasten certain Projectors to Mount Arm



M6 Pan Phillips screws  
(12mm Long)

Quantity: 4

To fasten certain Projectors to Mount Arm



Cable Ties

Quantity: 6

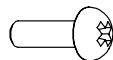
For cable management to keep leads tidy



M6 Pan Phillips screws  
(20mm Long)

Quantity: 4

To fasten certain Projectors to Mount Arm



Small Nylon Spacer

(10mm Long)

Quantity: 4

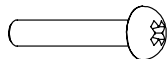
Use with Projector Screws for some projectors



M6 Pan Phillips screws  
(35mm Long)

Quantity: 4

To fasten certain Projectors to Mount Arm



Long Nylon Spacer

(25mm Long)

Quantity: 4

Use with Projector Screws for some projectors



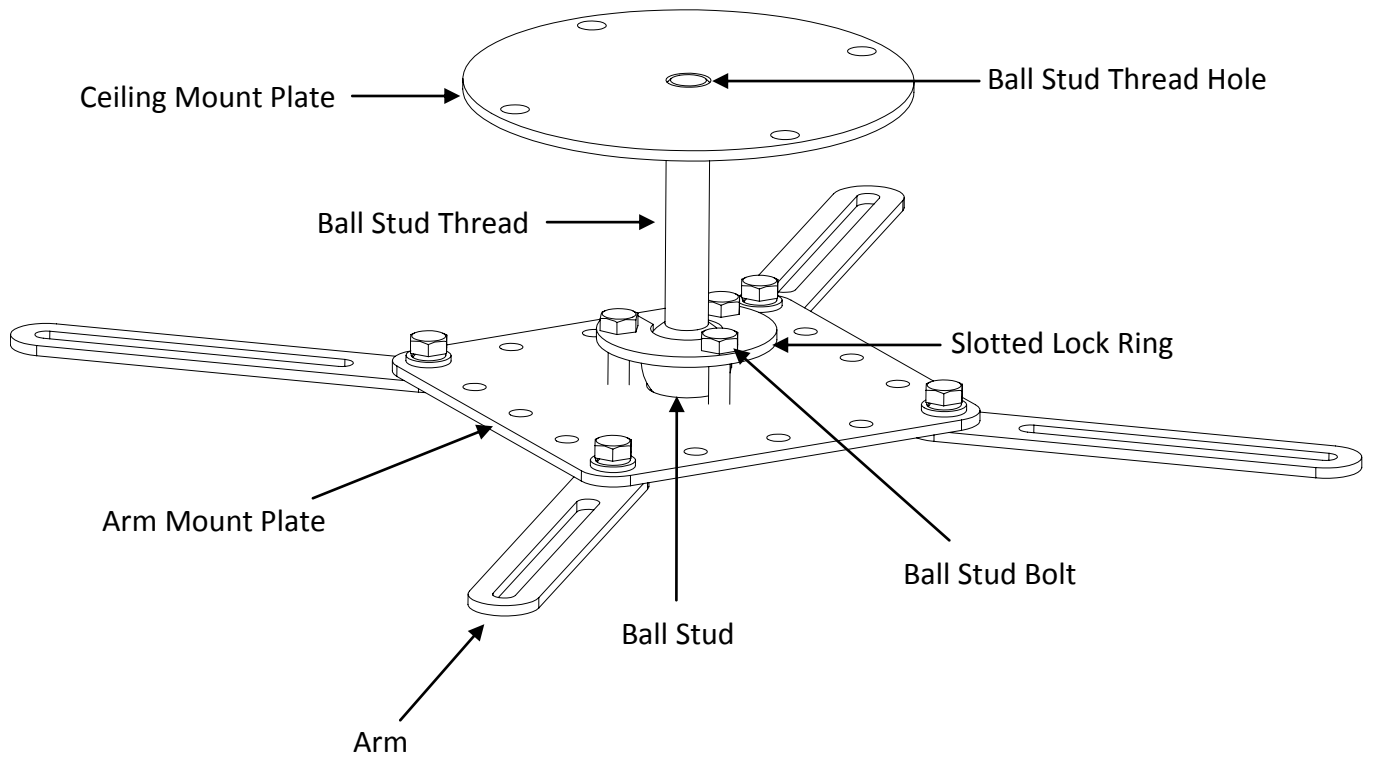
3/16 x 3/4 Washers

Quantity: 4

For use with M4 or M5 Projector  
Mount Screws to fasten Projector to Arm

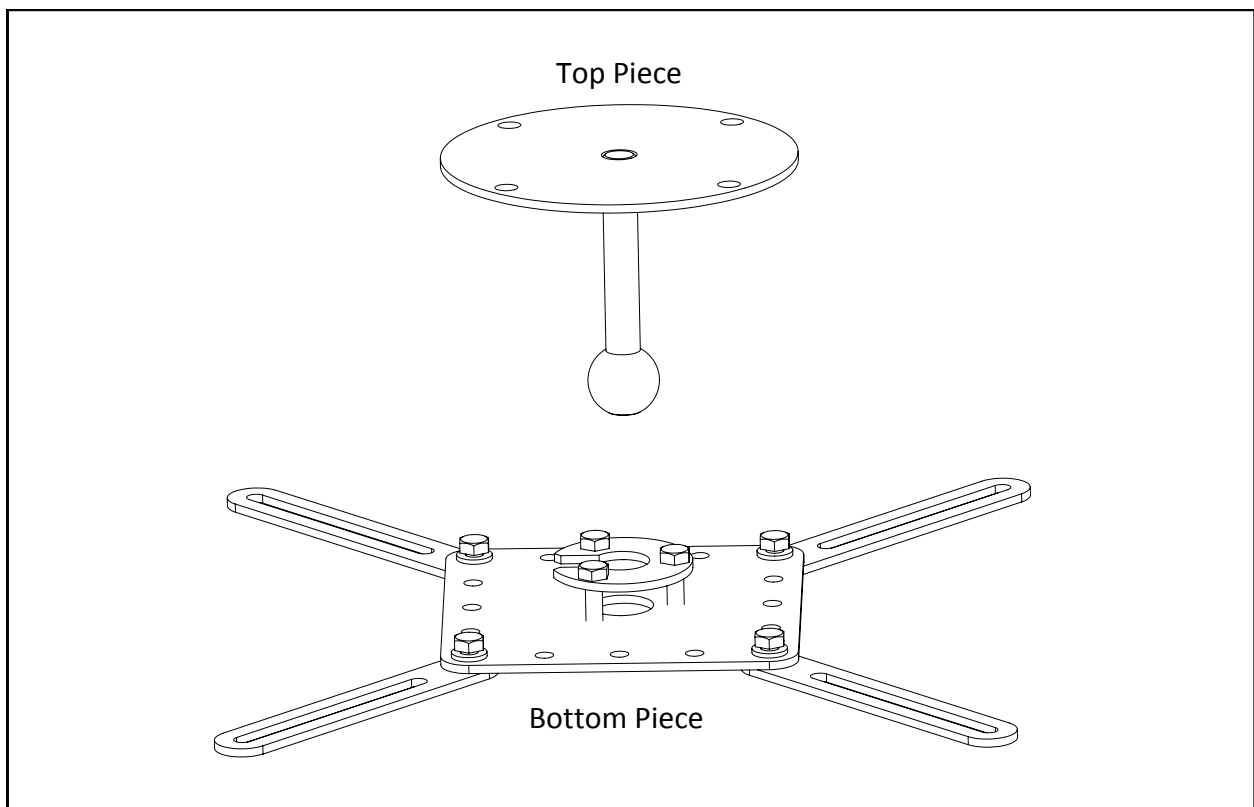


# Spider 70 Diagram



## Installation Procedure

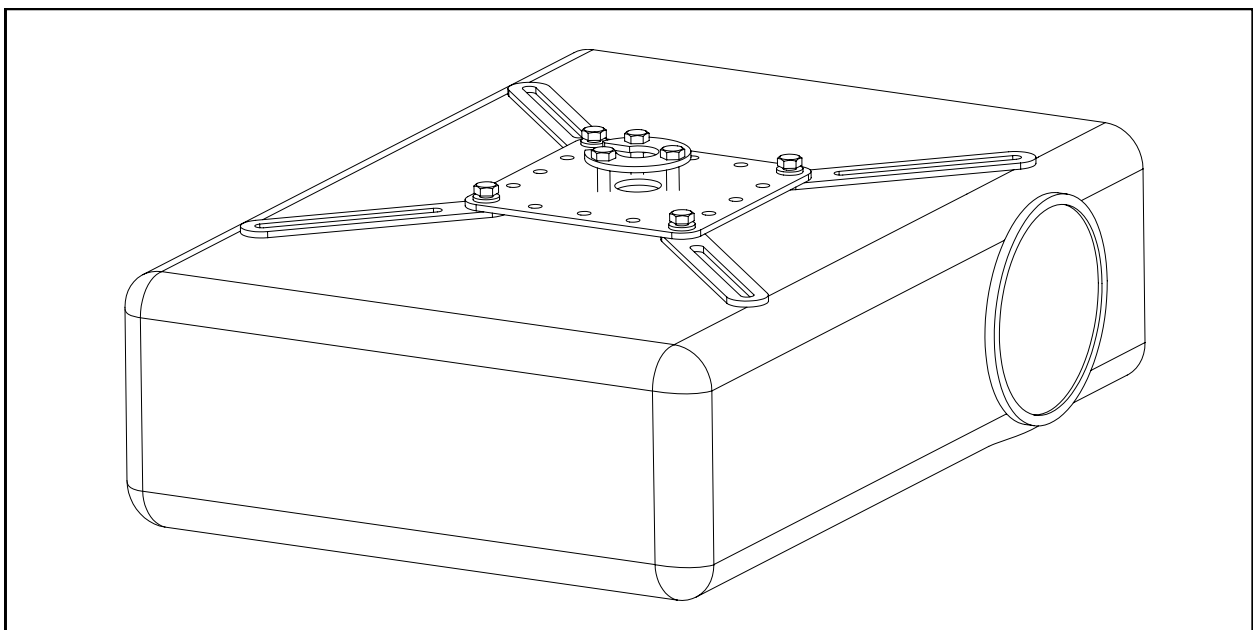
1. Determine where on the ceiling you wish to install the projector mount.  
Keep in mind that the top of the projector will be approximately 95mm below the ceiling, so locate the mount a suitable distance from the projector screen, taking the throw of the projector into account.
2. Loosen the three ball stud bolts until the ball stud can be removed from the slotted lock ring. Remove the ball stud from the lock ring through the slot in the lock ring.
3. The Spider 70 will now be separated into two pieces as shown below.



4. Once you have located a suitable spot on the ceiling, place the ceiling mount plate flush against the ceiling, and mark the four holes using the ceiling mount plate as a stencil.
5. Remove the ceiling mount plate from against the ceiling.

## Installation Procedure (Continued)

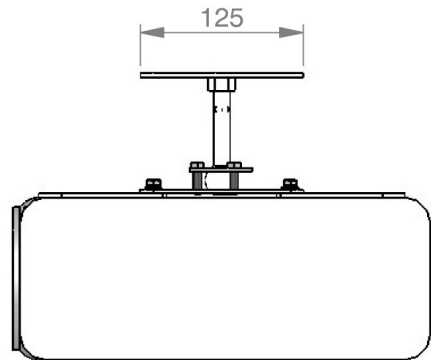
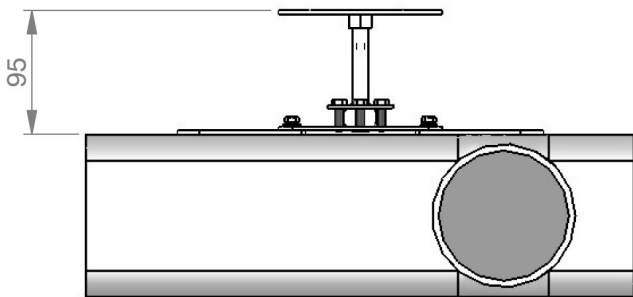
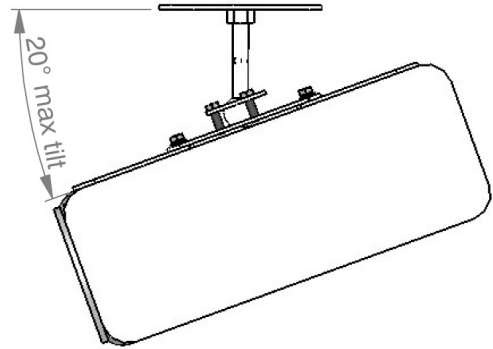
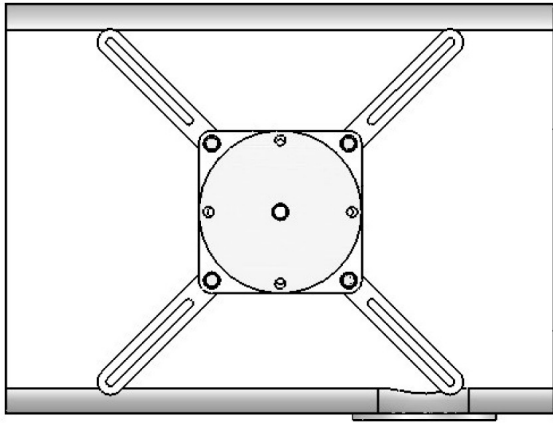
6. **Optional:** If you wish to be able to fine tune the direction the projector is facing after installation, you will need to drill out a larger hole in the ceiling to accommodate the ball stud thread. The larger hole is located in the centre of the four smaller holes, and is called the “Ball Stud Thread Hole” on the diagram included in this manual. Drill the central hole using a drill bit that is a slightly larger diameter than the Ball Stud Thread. This will allow the Ball Stud Thread to be screwed into the ceiling after installation, which gives you finer control over the direction the projector is facing.
7. Drill the four holes in the ceiling which were marked in the previous steps. The diameter of the holes will depend on what fasteners you plan on using to fix the ceiling mount plate to the ceiling. Use fasteners/screws appropriate to the type of ceiling you are fastening to (ie. Concrete, wood, etc)
8. Fasten the ceiling mount plate to the ceiling using four fasteners suitable for the ceiling you are attaching it to.
9. Place the lower portion of the Spider 70 on top of the projector you are using. If the mounting holes on the projector do not line up with the Spider Arms, you may have to adjust the direction the Spider Arms are facing.



## Installation Procedure (Continued)

10. Fasten the Spider Arms to the projector using the mounting screws that came with the projector. If none were supplied with the projector, you will need to find suitable screws for your model and use them.
11. Once the projector is securely fastened to the Spider Arms, reconnect the lower portion of the Spider 70 to the upper portion which was fastened to the ceiling in step 8. You will need to slot the Ball Stud Thread through the slot in the Slotted Lock ring, and tighten up the three bolts on the Slotted Lock ring to secure the projector into place. The Ball Stud can be pivoted so the projector is facing up to 20 degrees towards the floor so some adjustment may be required for optimal positioning.
12. **Optional:** If you need to fine tune the direction the projector is facing, and you followed Step 6 of this guide, you may loosen the bolt at the top of the Ball Stud Thread and turn the Ball Stud clockwise to change the direction it is facing.

# Schematic Diagram



# Legal Notice & Liability Disclaimer

By using the information in this manual, you agree to the following terms of use.

The information disclosed in this manual, including all designs and related materials, is the valuable property of Ultralift Australia Pty. Ltd. The information is subject to change at any time without notice. Ultralift Australia Pty. Ltd. reserves the right to amend, modify or replace these terms at any time and without further notice in future revisions of this manual.

Ultralift Australia Pty. Ltd. does not guarantee or warranty that the product will operate as described in all applications, environments and situations, such as those the product was not designed to operate in. The warranty provided with the product at the time of purchase covers the use of the product in some applications, environments and situations - those it was specifically designed for. (hereafter referred to as "Intended Use") The product(s) discussed in this manual are warranted in accordance with the terms of the Warranty Statement accompanying each product.

Every effort has been made to ensure that the information and content in this manual is accurate, up-to-date and reliable, but Ultralift Australia Pty. Ltd. and its subcontractors cannot be held responsible for inaccuracies, errors or omissions. Use of the product in accordance with information from this manual is undertaken solely at the installer's, dealer's and user's own risk. No warranty or guarantee is provided for this manual or the contents therein.

This product should only be installed by a qualified technician. Technicians are advised to take caution when installing this product, in accordance with the Safety Warning at the beginning of the manual. Persons, Installers, Technicians, Dealers, Tradespersons and other Persons installing this product take full responsibility for their own personal safety and wellbeing, as well as the safety and wellbeing of others in the immediate environment. Those installing this product agree not to hold Ultralift Australia Pty. Ltd. liable and responsible for death, injury, impairment or other health issues that may arise from installing this product, as far as is it lawful for Ultralift Australia Pty. Ltd. to do so under the laws of the State of Victoria, Australia and the Commonwealth of Australia.

All products, brands, or trade names used in this publication which are not the trademarks or registered trademarks of Ultralift Australia Pty. Ltd. are trademarks or registered trademarks of their respective trademark owners.

This agreement shall be governed by and interpreted in accordance with the laws of the State of Victoria, Australia and the Commonwealth of Australia.

THANKYOU FOR CHOOSING  
**ULTRALIFT  
AUSTRALIA**



**Ultralift Australia Pty Ltd**

10 Vernon Ave, Heidelberg Heights VIC 3081 Australia

**Email:** [sales@ultraliftaustralia.com.au](mailto:sales@ultraliftaustralia.com.au)

**Web:** [www.ultraliftaustralia.com.au](http://www.ultraliftaustralia.com.au)

**Phone:** 61 3 9459 0873

**Fax:** 61 3 9457 6686

Member

