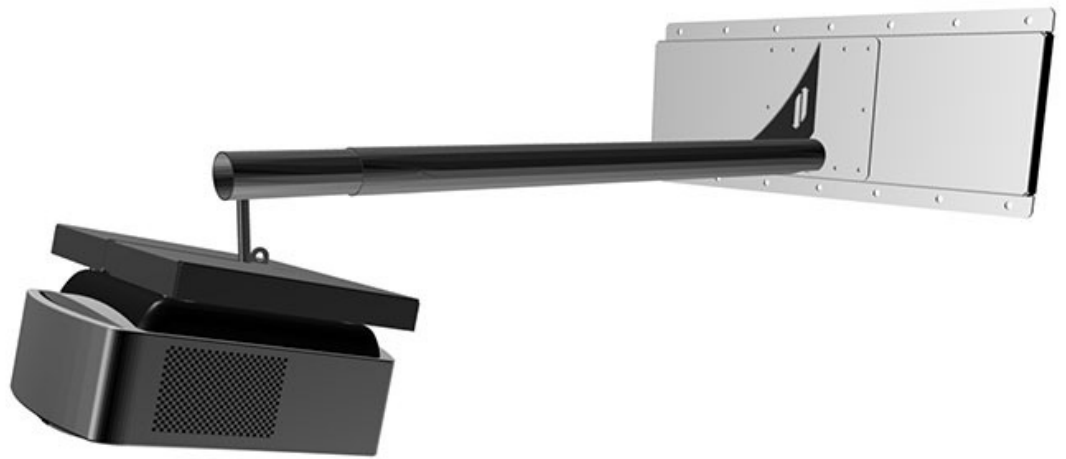


# Short Throw Spider

**ULTRALIFT  
AUSTRALIA**



## INSTALLATION INSTRUCTIONS

Thank you for purchasing this Ultralift product.  
We 're sure you will enjoy this unit for years to come.  
Before installing, operating or adjusting this product, please  
read this instruction book carefully and completely.

[www.ultraliftaustralia.com.au](http://www.ultraliftaustralia.com.au)

# *Contents:*

---

	Page No.
Parts List	2
Complete model	3
1. Installation	4 - 5
Installing On Wall	4
Installation (Continued)	5
2. Spec Sheet	6



## Parts List:

---



### *When the unit arrives:*

Open the carton & inspect for damage

Locate the following parts:

1. Short Throw Spider (Projector Mount)
2. Screw kit (not all will be required)

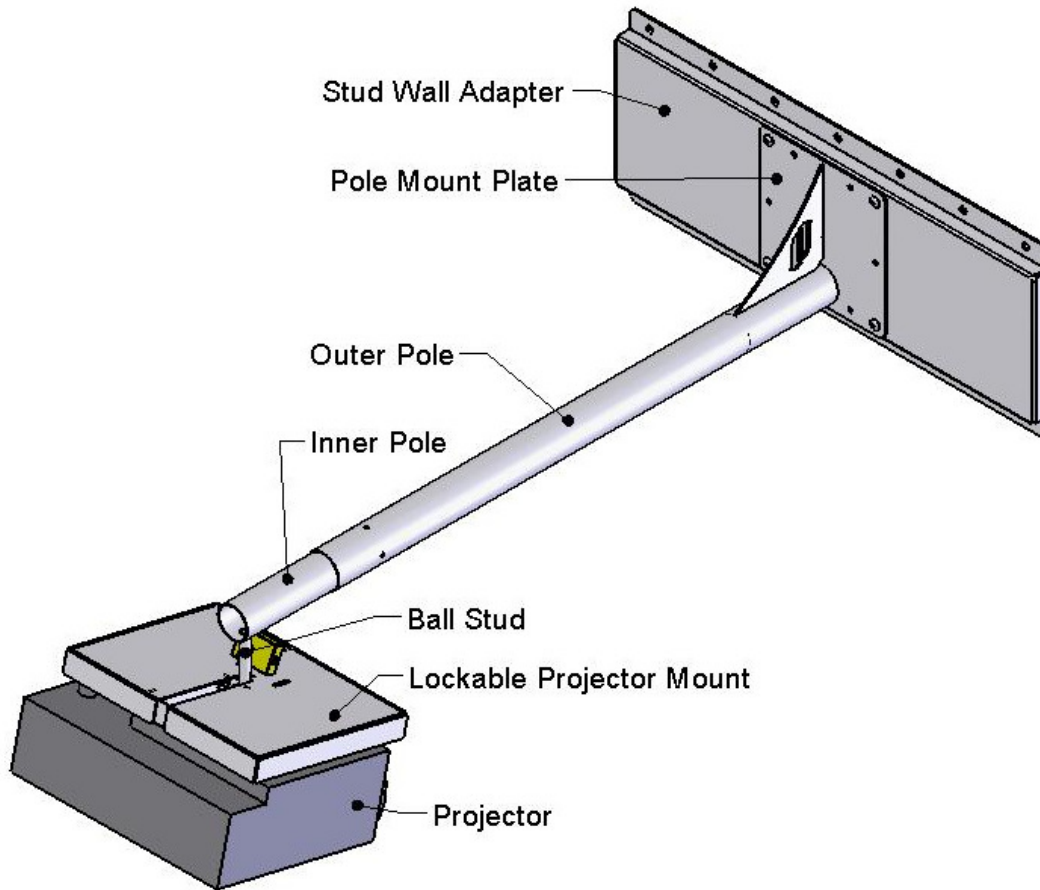
#### *Projector mount screws*

T20 Tex Security Screws	12
M4 x 12 Pan Phillips screws	4
M4 x 20 Pan Phillips screws	4
M4 x 35 Pan Head Phillips	4
M5 x 12 Pan Phillips screws	4
M5 x 20 Pan Phillips Screws	4
M5 x 40 Pan Phillips Screws	4
M6 x 12 Pan Phillips screws	4
M6 x 20 Pan Phillips screws	4
M6 x 35 Pan Phillips screws	4
3/16 x 3/4 Washers	8
M6 washers	8
Long Spacer	4
Small Spacer	4

3. Cable Ties

6

## Short Throw Spider Model:



*Complete Short Throw Spider Model*

## 1. Installing On Wall

1. Remove 'Lockable Projector Mount Plates' (Upper and Lower) from unit. This will require three M6 Nyloc nuts to be removed from the studs connected to the lower plate. A 'Lock Ring' can now be removed from the 'Ball Stud'
2. Your Projector can now be mounted to the 'Lower Mount Plate' conveniently (on a bench or table) using the appropriate mounting screws provided.
3. Next, choose a wall with flat surface to mount Short Throw Spider. Before mounting to wall, work out your required pole length.
4. To set Pole length, remove the security T20 Torx screws holding the inner and outer poles together. Adjust the length to suit your application, then drill screws back in place. This can be adjusted again later if required.

*NOTE: If your application requires a pole length shorter than the current combination allows, both poles can be cut to suit.*

5. If you are attaching to studs on the wall, mount Short Throw Spider using 'Stud Wall Adapter' plate. If not, then you have the option of mounting to the wall without the adapter plate (using just the 'Pole Mount Plate'). Make use of the Screws provided.

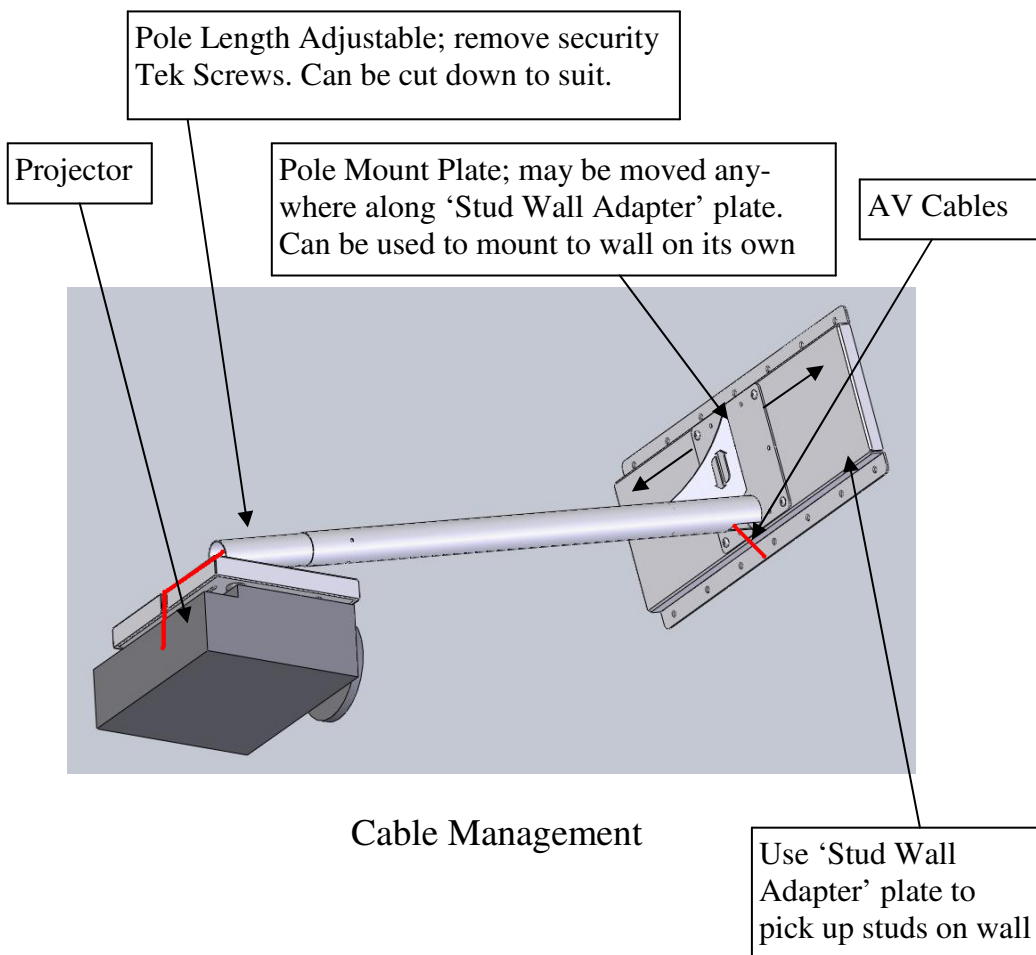
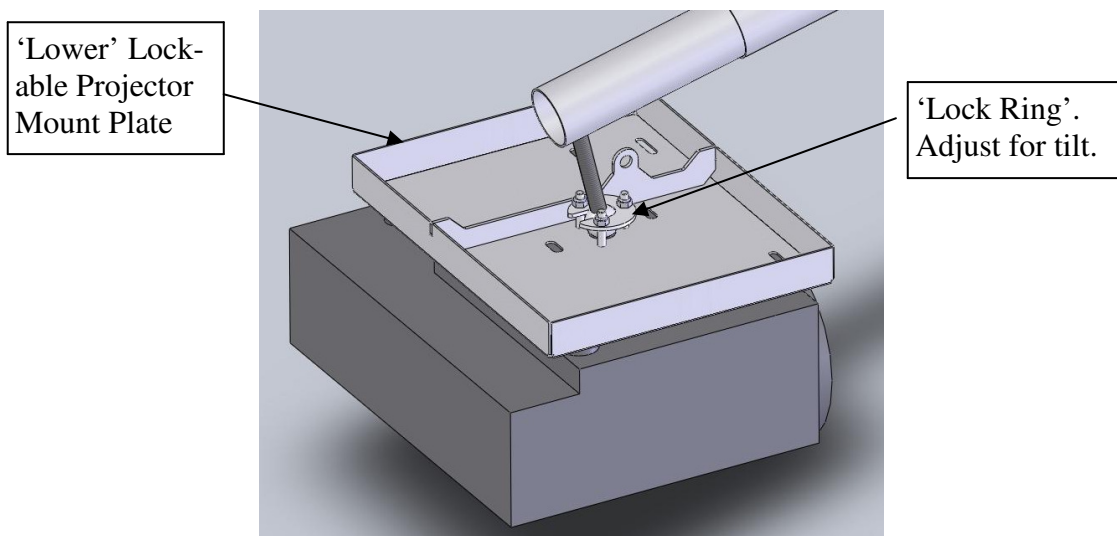
*NOTE: Ensure that Mount Plates are sitting horizontally on wall.*

*NOTE: If using 'Stud Adapter Plate', the 'Pole Mount Plate' can be moved to any position along Adapter Plate. Use the security screws provided. This allows optimal positioning of your projector to suit your room/application.*

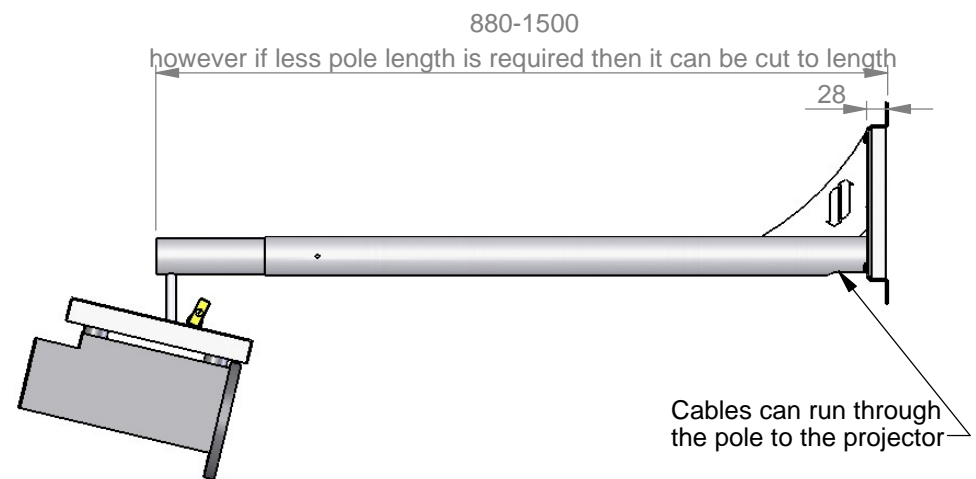
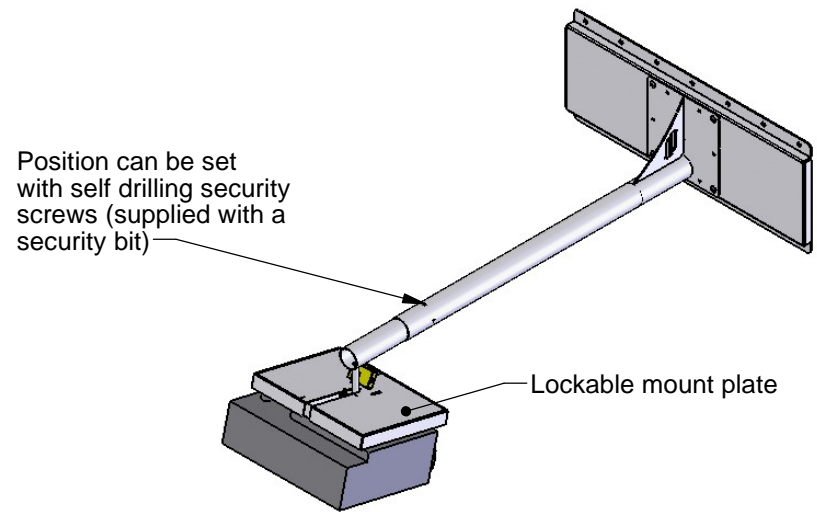
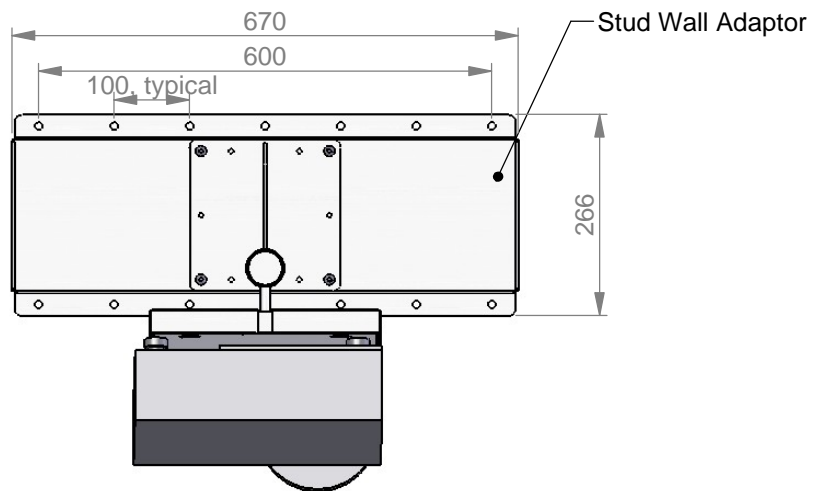
6. Re-attach 'Projector Mount Plates' with projector attached. Adjust tilt to suit your application by moving the 'Lock Ring' about the ball stud. Ensure Nyloc Nuts are fastened firmly. Lock down 'Upper' Projector Mount Plate using a padlock in the tab provided.
7. Route AV and power cables for your projector through the cut-out provided on the outer pole (near stud wall adapter plate).



## 2. Installation (Continued)



*Installation (Continued)*



**ULTRALIFT**  
**AUSTRALIA**



Member



Ultralift Australia Pty Ltd  
10 Vernon Ave  
Heidelberg Heights  
VIC 3081 Australia  
Phone: 61 3 9459 0873  
Fax: 61 3 9457 6686  
Email: [sales@ultraliftaustralia.com.au](mailto:sales@ultraliftaustralia.com.au)  
[www.ultraliftaustralia.com.au](http://www.ultraliftaustralia.com.au)